

jura[®]



Tassenwärmer / Cup warmer

Bedienungsanleitung Tassenwärmer

Cup Warmer Instructions for Use

Mode d'emploi du chauffe-tasses

Istruzioni per l'uso scaldatasse

Gebruiksaanwijzing kopjeswarmer

Modo de empleo para calentador de tazas

Manual de instruções do dispositivo de aquecimento de chávenas

Bruksanvisning koppvärmare

Instruksjonsbok koppvarmer

Instrukcja obsługi podgrzewacza do filiżanek

Руководство по эксплуатации подогревателя чашек

Návod k obsluze ohřivače šáleků

JURA Type 571

de

en

fr

it

nl

es

pt

sv

no

pl

ru

cs

IMPORTANT SAFEGUARDS

Follow the basic safety precautions

When using electrical appliances, basic safety precautions should always be followed, to reduce the risk of fire, electric shock, and/or injury to persons, including the following:

- Read all instructions.
- To protect against fire, electric shock and injury to persons, do not immerse cord, plugs, or body of machine in water or other liquid.
- Do not touch hot surfaces. Use handles or knobs.
- Close supervision is necessary when any appliance is used by or near children.
- Unplug from outlet when not in use and before cleaning. Allow to cool before putting on or taking off parts.
- Do not operate any appliance with a damaged cord or plug or after the appliance malfunctions, or has been damaged in any manner. Return appliance to the nearest authorized service facility for examination, repair or adjustment.
- The use of accessory attachment not recommended by the appliance manufacturer may result in fire, electric shock, or injury to persons.
- Do not use outdoors.
- Do not let the cord hang over the edge of a table or counter, or touch hot surfaces.
- Do not place on or near a hot gas or electric burner, or in a heated oven.
- Always attach plug to appliance first, then plug cord into the wall outlet. To disconnect, turn any control to »off«, then remove plug from wall outlet.
- Do not use appliance for other than intended use.
- For household use only.

Special cord set instructions

- a. A short power supply cord is provided to reduce the risk resulting from becoming entangled in or tripping over a long cord.
- b. Longer extension cords are available and may be used if care is exercised in their use.
- c. If an extension cord is used,
 1. the marked electrical rating of the extension cord should be at least as great as the electrical rating of the appliance, and
 2. if the appliance is of the grounded type, the extension cord should be a grounding type 3-wire cord, and
 3. the longer cord shall be arranged so that it will not drape over the counter top or tabletop where it can be pulled on by children or tripped over.

Warning

To reduce the risk of fire or electric shock, do not remove any service covers. No user serviceable parts inside. Repair should be done by authorized personnel only.

SAVE THESE INSTRUCTIONS

Caution

This appliance is for household use only. Any servicing other than cleaning and user maintenance should be performed by an authorized service representative:

- Do not immerse base in water or try to disassemble.
- To reduce the risk of fire or electric shock, do not remove the base. No user serviceable parts inside. Repair should be done by authorized service personnel only.
- Keep the cord away from hot parts of the appliance during operation.
- Never clean with scouring powders or hard implements.

NEVER DO (or you will void your warranty protection):

- Never do anything with the appliance which is not described in the User's Manual. In case of doubt, call your dealer.

Your JURA cup warmer

Symbol description	4
Control elements	5
Important information	6
Proper use	6
For your safety	6
1 Preparation	8
Supplied as standard	8
Set-up and connection	8
2 Warming cups (manual switch-on)	8
3 Automatic switch-on / switch-off	8
Setting the time	8
Automatic switch-on	9
Automatic switch-off	9
Deactivating automatic switch-on / switch-off	9
4 Displays	10
5 Maintenance	10
6 Environmentally neutral disposal	10
7 Technical data	10

Symbol description

Warning:



CAUTION

Always take note of any information marked with the CAUTION or WARNING symbol. The signal word WARNING points out potential risk of serious injury, and the signal word CAUTION potential risk of slight injury.

Symbols used:

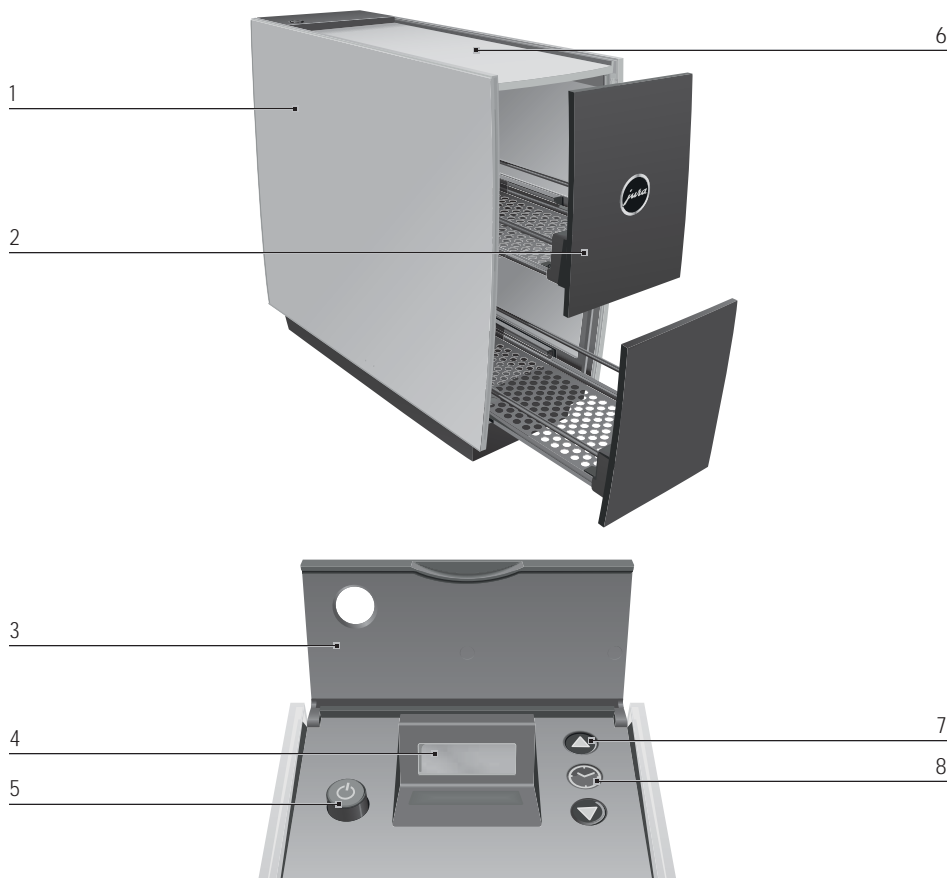



Information and tips to make use of your cup warmer even easier.



Prompt to take action.

Control elements



- 1 JURA Cup Warmer
- 2 Cup drawer
- 3 Cover
- 4 Display
- 5 On/off button  with operation indicator lamp

- 6 Cup tray
- 7 Arrow button
- 8 Clock button

Important information

Proper use

The machine was designed and built for domestic use. The machine is only used to place cups in the pull-out cup drawers and on the cup tray on the top and to heat them. JURA Elektroapparate AG cannot accept any responsibility for the consequences of improper use. Before using the machine always read these instructions for use thoroughly and completely and comply with the instructions they contain. Keep these instructions for use close to the machine and pass them on to the next user if applicable.

For your safety

Please read and note carefully the following important safety information.

To avoid the life-threatening danger of electric shock:

- Only use the original mains cable supplied by JURA.
 - Never use a machine which has been damaged or with a defective mains cable.
 - Never use the machine when you have wet hands.
 - Make sure the mains cable is dry before first-time use.
- Only connect the machine to the AC mains power with the mains cable supplied with the machine.
 - In the event of signs of damage, for example if there is a smell of burning, unplug the machine immediately from the mains supply and contact JURA service.
 - Make sure that the machine and the mains cable are not located close to hot surfaces or naked flames.
 - Be careful to ensure that the mains cable does not get caught and does not rub against sharp edges.
 - Never open and repair the machine yourself. Do not modify the machine in any way that is not described in the instructions for use. The machine contains live parts.

A defective machine is not safe and could cause injury or fire. To avoid damage and any associated risk of injury or fire:

- Never allow the mains cable to loosely hang down. The mains cable can be tripped over or damaged.
- Protect the machine from environmental influences such as rain, frost and direct sunlight.

- Do not use the machine to store or heat up drinks or other foods.
 - Do not place heavy loads on the extended cup drawers.
 - Do not place damp or wet cups in the cup drawers.
 - Do not put the machine, mains cable or connectors in water.
 - Do not put the machine or any individual parts in the dishwasher.
 - Turn the machine off and disconnect the mains plug before starting any cleaning operation. Always wipe the machine with a damp cloth rather than a wet one, and protect it from prolonged water splash. Do not clean the inner side panels.
 - Only connect the machine to the mains voltage in accordance with the information on the rating plate. The rating plate is located on the underside of the machine. Further technical data is given in Chapter 7, 'Technical data'.
 - Turn the machine off and disconnect the mains plug if you will be away for any length of time.
 - Do not leave the machine unattended when it is in operation.
 - Children may not clean or service the machine unless supervised by a responsible person.
 - Do not allow children to play with the machine.
 - Keep children under the age of 8 away from the machine, or supervise them constantly.
 - Children aged 8 and over may only operate the machine without supervision if they have been instructed in how to use it safely. Children must be able to recognise and understand the potential dangers arising from incorrect use.
- The machine is only allowed to be used by people who can use it safely. People, including children, who do not have the
- physical, sensory or mental capabilities or
 - experience or knowledge to use the machine safely must be supervised by a responsible person when using it, or be instructed in how to use it correctly.

1 Preparation

Supplied as standard

The following items are supplied as standard:

- JURA Cup Warmer
- Instructions for use
- Mains cable

Set-up and connection

When setting up your cup warmer, observe the following:

- Set the machine down on a horizontal surface.
- Choose a spot for the machine which is protected against overheating.



WARNING

If the machine is operated with a defective mains cable, there is a danger of electric shock.

- ▶ Never use a machine which has a defective mains cable.

- ▶ Carefully turn the machine upside down and set it down.
- ▶ Connect the mains cable to the machine.



Spare cable can be stored on the underside of the cup warmer depending on the length of cable required.

- ▶ Set the machine down the right way up again.
- ▶ Insert the mains plug into a power socket. OFF is displayed below the cover.



2 Warming cups (manual switch-on)



Risk of burns. The storage surfaces in the cup drawers can get hot during operation.

- ▶ Do not touch the storage surfaces in the cup drawers.

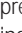
- ▶ Open a cup drawer.
- ▶ Place the cups in the cup drawer and close it.
- ▶ Place the cups or glasses on the cup tray on the top of the machine.



- ▶ Switch the machine on with the on/off button.

The operation indicator lamp lights up and the machine starts to warm the cups. ON is displayed below the cover.



When you want to **switch off the machine**, press the on/off button . The operation indicator lamp goes out and OFF is displayed.



If the "Automatic switch-off" function is not activated, the machine will switch off after 12 hours to save energy.

3 Automatic switch-on / switch-off



If the machine is disconnected from the mains, all settings are reset.

Setting the time

For the 'automatic switch-on / switch-off' function, you must first set the time:

- ▶ Open the cover.
- ▶ Press the Clock button.
AM 12:00 appears on the display.
- ▶ Press one of the arrow buttons to change the time format (AM/PM or 24h).
- ▶ Press the Clock button to confirm the time format.
00:00 (example), the hours flash.
- ▶ Use the arrow buttons to set the hours.

- ▶ Press the Clock button to confirm the hours setting.
10:00 (example), the minutes flash.
- ▶ Use the arrow buttons to set the minutes.
10:30 (example)
- ▶ Press the Clock button to confirm the minutes setting.
ON or OFF appears in the display depending on whether the machine is switched on or off.

i You can change the time setting at any time. To do this, press the Clock button twice and make the necessary changes.

Automatic switch-on

- ▶ Open the cover.
- ▶ Press the Clock button.
The time set by the user is displayed.
- ▶ Press one of the arrow buttons.
ON --:--
- ▶ Press the Clock button.
--:-- , the hours flash.
- ▶ Use the arrow buttons to set the hours.
AUTO ON 07:00 (example)
- ▶ Press the Clock button to confirm the hours setting.
AUTO ON 07:00 (example), the minutes flash.
- ▶ Use the arrow buttons to set the minutes.
AUTO ON 07:30 (example)
- ▶ Press the Clock button to confirm the minutes setting.
AUTO ON or AUTO OFF appears in the display (depending on whether the machine is switched on or off).

Automatic switch-off

i If the “Automatic switch-off” function is not activated, the machine will switch off after 12 hours to save energy.

- ▶ Open the cover.
- ▶ Press the Clock button.
The time set by the user is displayed.

- ▶ Press one of the arrow buttons **twice**.
AUTO OFF --:-- (example)
- ▶ Press the Clock button.
AUTO OFF --:-- (example), the hours flash.
- ▶ Use the arrow buttons to set the hours.
AUTO OFF 18:00 (example)
- ▶ Press the Clock button to confirm the hours setting.
AUTO OFF 18:00 (example), the minutes flash.
- ▶ Use the arrow buttons to set the minutes.
AUTO OFF 18:30 (example)
- ▶ Press the Clock button to confirm the minutes setting.
AUTO ON or AUTO OFF appears in the display (depending on whether the machine is switched on or off).

Deactivating automatic switch-on / switch-off

To deactivate automatic switch-on or switch-off, you must set the relevant time to ‘--:--’.

i If the “Automatic switch-off” function is not activated, the machine will switch off after 12 hours to save energy.

Example: Here is how to deactivate automatic switch-off.

- ▶ Open the cover.
- ▶ Press the Clock button.
- ▶ Press one of the arrow buttons **twice**.
AUTO OFF 18:30 (example)
- ▶ Press the Clock button.
AUTO OFF 18:30 (example), the hours flash.
- ▶ Set the hours to ‘00’.
- ▶ Press the Clock button.
AUTO OFF 00:30 (example), the minutes flash.
- ▶ Keep pressing the arrow buttons until the display changes to ‘--:--’.
- ▶ Press the Clock button to confirm the setting.
Automatic switch-off is deactivated.

JURA Cup Warmer

4 Displays

- ON: Machine is switched on manually
- OFF: Machine is switched off manually
- AUTO ON: Machine is switched on automatically
- AUTO OFF: Machine is switched off automatically

5 Maintenance

i Do not use any sharp, corrosive or abrasive cleaning agents or hard objects for maintenance. This may damage the machine.

- ▶ Before cleaning the machine disconnect the mains plug from the power socket.
- ▶ Clean the outside of the machine with a soft, damp cloth (e.g. a microfibre cloth).

i JURA microfibre cloths are available from stockists.

6 Environmentally neutral disposal

Please dispose of old machines in an environmentally neutral way.



Old machines contain valuable materials capable of being recycled which should be salvaged for recycling. Please therefore dispose of old machines via suitable collection systems.

7 Technical data

Voltage	120 V, 60 Hz (USA/Canada only) 120–240 V, 50–60 Hz (Europe, other countries)
Safety test	UL 1026, IEC/EN 60335-1 IEC/EN 60335-2-12
Power	40 W (USA/Canada only) 60 W (Measurement after approx. 6 min.) (max. 110 W) (Europe, Australia, New Zealand, other countries)
Weight	Approx. 3.9 kg
Cable length	Approx. 1.1 m
Dimensions (W x H x D)	12.2 x 30.6 x 34.9 cm

Directives

The machine complies with the following directives:

- 2014/35/EU – Low Voltage Directive
- 2014/30/EU – Electromagnetic Compatibility
- 2009/125/EC – Ecodesign Directive
- 2011/65/EC – RoHS Directive

Technical changes

We reserve the right to make technical changes.

Feedback

Your opinion is important to us!

Use the contact link at www.jura.com.

Copyright

The instructions for use contain information which is protected by copyright. It is not permitted to photocopy or translate these instructions for use into another language without the express written consent of JURA Elektroapparate AG.

JURA Elektroapparate AG, Kaffeeweltstrasse 10
CH-4626 Niederbuchsiten
www.jura.com